

8Ch. Configurable Relay DIN Module Instruction Manual GW-5100M

Enjoy the Life

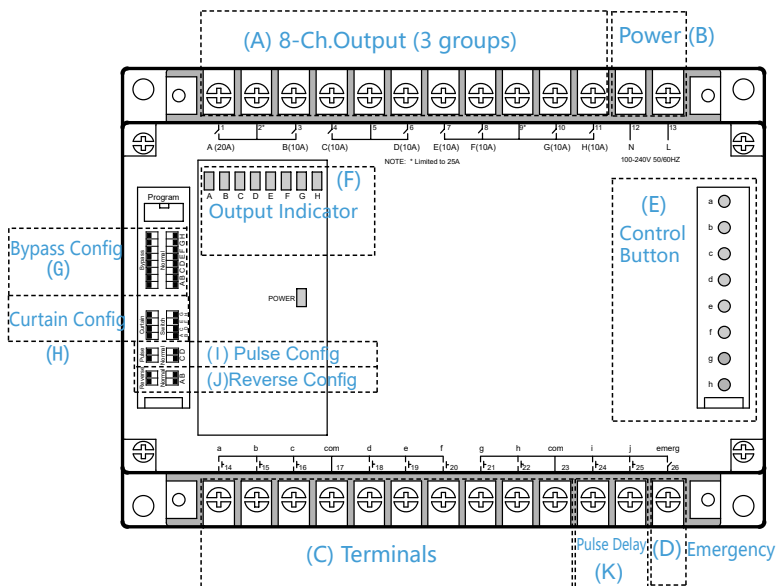
Gingerway Technologies Co.,Ltd

201809 V1.1

Descriptions

Dear users, sincerely thank you for choosing our products. For your convenience of installing and using this product, please read this manual carefully before use.

GW-5100M 8Ch. configurable relay DIN module is a 35mm DIN rail mounting relay module that with 1-Ch. 20A + 7-Ch. 10A outputs. It can be configured as common relay output, can also be configured as curtain controller or pulse output module. This DIN module can meet the requirements of intelligent controlling in the high reliable and complex application environment, such as apartment, villa, office, hotel, factory, etc.



Illustration

The 8Ch. configurable relay DIN module contains 11 main areas:

A. 8-Ch, 3 groups of independent outputs: Dry contact relay outputs, each group must connect the same voltage output, such as 220V, 110V, 24V, 12V or other voltages. And the voltage of each group must be same type. With 8 channels in total, the current of channel A is 20A, each current of the other 7 channels is 10A. The total current of each group should less than 25A.

B. Power L/N: It supports 100~240V input, to supply power for DIN module.

C. Touch Panel Terminals: This 8-Ch. configurable relay DIN module supports manual control panel. The terminals can connect the traditional reset tap switch panel, the 1*1mm 2-wire diameters network cable can be used as the wiring, and the length of the cable should not more than 10m.

D. Emergency Terminal: Connecting the terminals of "com" and "emergency", the DIN module will enter into emergency status, and all the relay outputs will be cut off.

E. Control Buttons: The function of these buttons is same as the terminals of area C, they can be used to manual control the on-off state of the relays. It's convenient to debug the installation.

F. Output Indicators : To Show the on-off state of relays.

G. Bypass Config: When the DIN module is configured as switches, bypass config can make the relay output to be at closed state. It's convenient to debug the installation.

H. Curtain Config: The 8 channels relay outputs can be configured as four curtains. You can choose to configure them to curtain controllers or switches.

I. Pulse Config: Aimed at the relay outputs of channel C and D. When they are configured as switches, you can choose whether or not to configure them as pulse outputs.

J. Reverse Config: Aimned at the relay outputs of channel A and B. When they are configured to switches, you can choose to configure them as reverse output, then on-off state of the relays will be reversed.

K. Pulse Delay: When Channer C and D are configured as pulse out, if connect terminal "i" with "com", the relays will close 1 minute then open; If connect terminal "j" with "com", the relays will close 5 minutes then open; If terminal "i" and "j" both connected with "com", the relays will close 15 minutes then open; If neither terminal "i" nor "j" connected with "com", the relays will close 1 second then open(can be used for door opening).

Main Functions

1. New generation Z-Ginger® smart home control network, a real full digital two-way communication wireless network. It can penetrate the walls, with fast response speed, high reliability and strong anti-interference capability.
2. Compatible with wired and wireless operation mode at the same time.
3. Able to withstand high current surge, suitable for all kinds of loads.
4. Standard DIN rail mounting or wall mounting.
5. The 20A relay can be used as main power supply switch.
6. Able to be configurable as 2 curtain controllers.
7. With emergency input function.
8. The outputs can be configured as reverse/ pulse/ bypass function.
9. Configurable pulse delay time: 1s/1m/5m/15m.
10. With built-in power supply module.
11. Low power design.

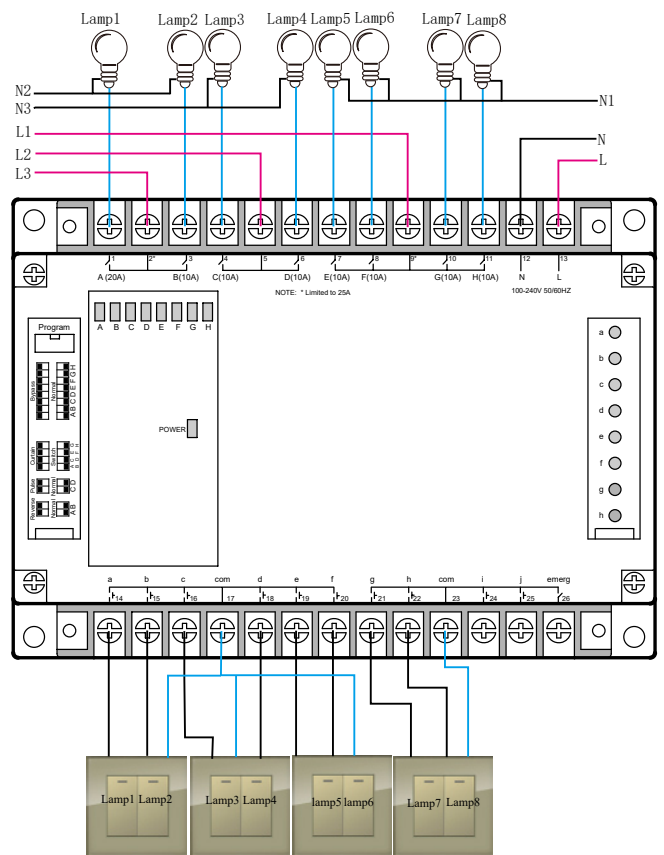
Scope of Application

This DIN module can meet the requirements of energy saving and intelligent controlling for apartment, villa, office, hotel or factory.

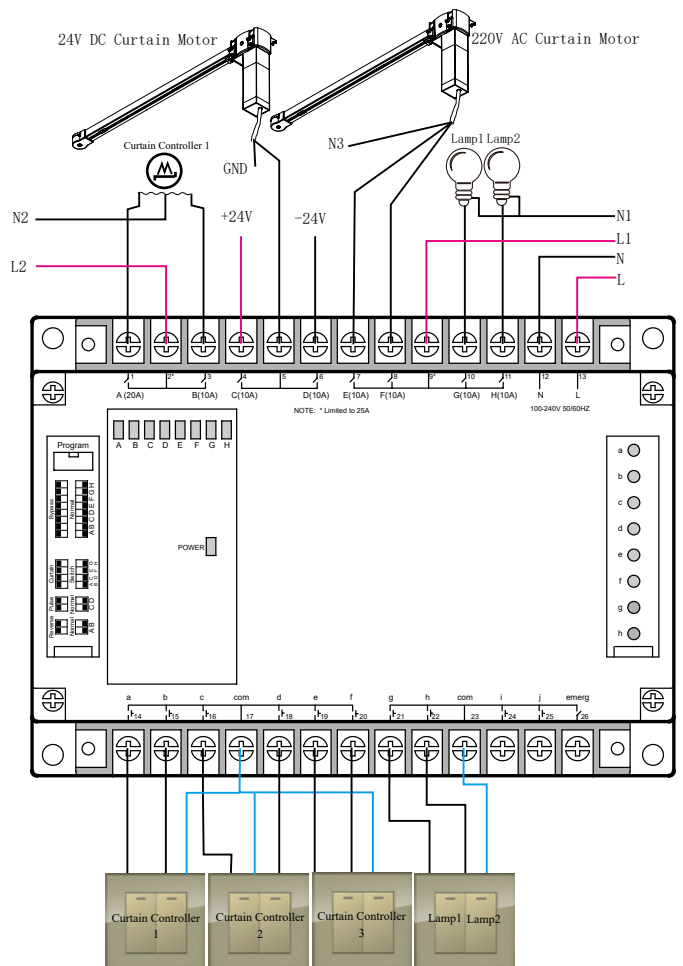
The external manual control switch is requested as reset tap switch.

Product Wiring Diagram

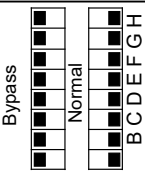
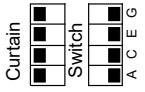
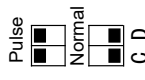
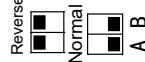
A: Being configured as 8-Ch. relay outputs



B: Being configured as 3-Ch. curtain + 2-Ch. relay outputs



Usage

Short press the control button	To switch on/off the relay.
Long press the control button	To bind the switch or curtain controller with remote controller, gateway and other main control devices.
Restore Factory Settings	1. Cut off the power of DIN Module. 2. After the electric discharge over. Long press any control button for 10 seconds since power on, then release your finger. 3. The DIN module will be restored to factory settings.
	When the DIN module is configured as switches, it supports the bypass setting. Slide the DIP switch from "Normal" to "Bypass", the relay outputs will be forced open.
	To be configured as switch or curtain. Slide the DIP switches to "Switch", the corresponding two channels are switches; Slide the DIP switches to "Curtain", the corresponding two channels are curtains. AB, CD, EF, GH are configured in pairs.
	When the DIN module is configured as switches, slide the DIP switch to "Pulse", the relays of channel C and D can be configured as pulse output. About the setting of pulse delay time, please refer to "Illustration - K:Pulse Delay"
	When the DIN module is configured as switches, The relays of channel A and B can be configured as reverse outputs, and the on-off state of the relays will be reversed.

Notice

1. Please hire professional electrician to install or disassemble this product. The power must be cut off before installing or disassembling.
2. This product is forbidden to be installed in outdoors, bathroom and other humid environments.

Warranty Terms

Gingerway products are guaranteed for 2 years since the date of purchase. During the warranty period, if Gingerway products malfunction(not contain artificial damages) under normal circumstances, they can be free repaired or exchanged at local dealer with the purchase invoice.

1. If due to quality failure during the warranty period, the maintenance is free in first year, only the component cost will be charged in the second year.

2. Disassembling Gingerway product components without the permission of our company or the local client center, our company will no longer bear the free warranty responsibility .

Note: Shenzhen Gingerway Technologies Co., Ltd reserves the right of final explanation for above terms.



Technical Parameters

Power Supply	100 ~ 240VAC 50/60Hz Current: 50 ~100mA
Outputs	3 groups of independent outputs, maximum rated current of each group is 25A. 1 channel output rated at 20A. 7 channels outputs rated at 10A. Not more than 60A in total.
RF	Wireless Operating Frequency: 433MHz Wireless Transmit Power: 10dbm Wireless Receiving Sensitivity: ≤-105dbm
Installation	35mm DIN-Rail Mounting Wall Mounting
Input Terminals	11 terminals, fit the conductor from 1 x 1.0mm ² to 1 x 4mm ² .
Output Terminals	11 terminals, fit the conductor of 1 x 1.0mm ² or 1 x 4mm ² .
Configuration	With built-in 2 x 8 configurable switches.
User Interface	Manual control buttons LED indicator External touch panel switches 1 channel external emergency traditional switch
Operating Environment	0°C~ 45°C Relative Humidity: 10% ~ 90%
Certification	CE Mark Low Voltage CE Mark EMC CE RADIO
Shell	94-V0 ABS, DIN-rail (8 1/2 Unit)
Dimensions & Weight	154mm * 110mm * 58mm(W * L * H) Weight: 0.55kg

Shenzhen Gingerway Technologies Co., Ltd.
Address: 3-Floor, Building A6, Xingye Industrial Park, Zhongshanyuan No.2 Road, Nanshan District. Shenzhen, Guangdong, China.
Tel :0755 -28779595 Fax :0755 -28779405
Website: www.gingerway.com