

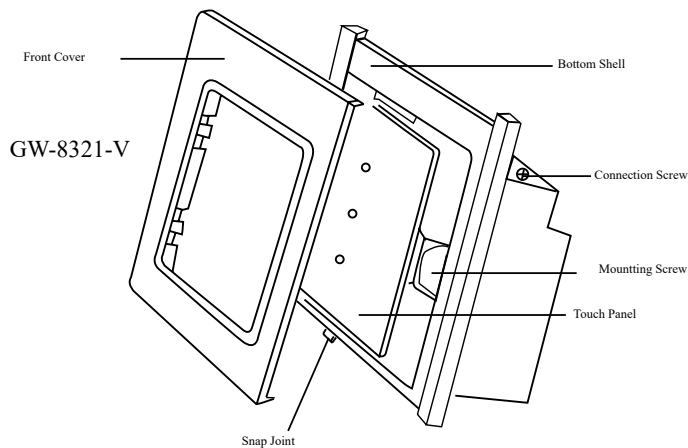


## Smart RF Touch Curtain Controller Instruction Manual GW-8321

Enjoy the Life

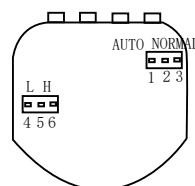
Gingerway Technologies Co.,Ltd

### Assembly Drawing



### Usage

Gingerway smart RF curtain controller must be used with Gingerway smart main control equipments. About the related operating method and function settings, please refer to the main control equipments instruction manuals.



**NORMAL:** Connect the jumper 2 and 3, the curtain controller is non-detection version, it applies to all motors.

**AUTO:** Connect the jumper 1 and 2, the curtain is motion detection version. It supports the motors that can stop at the both ends of the rail.

L, H: Selected as motion detection version, you can test and change the strength by connect the jumper 4, 5, 6.

### Usage of the keys:

1. Short press the "Up" and "Down" keys can open and close the curtain: In the process of opening and closing, short press the "Up" and "Down" key or the medium "Stop" key, the curtain will be stopped at the current position.
2. Short press the "Up" or "Down" key to send out binding request.
3. For motion detection version, long press the "Up" and "Down" keys at the same time, the curtain controller will start the motion detection (detecting the length of curtain rail). After the motion detection, you can bind the curtain controller at specified position via main control equipment.
4. Cut off the power of curtain controller. After the electric discharge over, long press any key for 8 seconds within 3 seconds since power on. The curtain controller will clear the bindings, and restore to factory settings.

### Technical Parameters

Power Supply	110 ~ 250VAC
Standby Power Consumption	≤0.3W
Wireless Operating Frequency	433MHz
Wireless Transmit Power	~10dbm
Wireless Receiving Sensitivity	≤-105dbm
Mounting Box Size	77mm*77mm*38mm
Working Temperature	0~60℃
Environment Humidity	≤80% (Non-condensing)
Dimensions (L * W * H)	86mm*86mm*37mm
Weight	135g

### Notice

1. Please hire professional electrician to install or disassemble this product. The power must be cut off before installing or disassembling.
2. This product is forbidden to be installed in outdoors, bathroom and other humid environments.

### Warranty Terms

Gingerway products are guaranteed for 2 years since the date of purchase. During the warranty period, if Gingerway products malfunction (not contain artificial damages) under normal circumstances, they can be free repaired or exchanged at local dealer with the purchase invoice.

1. If due to quality failure during the warranty period, the maintenance is free in first year, only the component cost will be charged in the second year.
2. Disassembling Gingerway product components without the permission of our company or the local client center, our company will no longer bear the free warranty responsibility.

Note: Shenzhen Gingerway Technologies Co., Ltd reserves the right of final explanation for above terms.



Shenzhen Gingerway Technologies Co., Ltd.  
Address: 3-Floor, Building A6, Xingye Industrial Park, Zhongshanyuan No.2 Road, Nanshan District. Shenzhen, Guangdong, China.  
Tel :0755 -28779595 Fax :0755 -28779405  
Website: www.gingerway.com

### Descriptions

Dear users, sincerely thank you for choosing our products. For your convenience of installing and using this product, please read this manual carefully before use.

Gingerway smart RF curtain controller is a new general tow-way full digital communication smart curtain controller. Via the main control equipments (remote control, gateway), you can reliably and easily control and query the on-off state of the curtain controller.

### Main Features

1. Maximum motor power: 200W.
2. New generation Z-Ginger® smart home control network, a real full digital two-way communication wireless network. It can penetrate the walls, with fast response speed, high reliability and strong anti-interference capability.
3. The control mode with patent technology, it can open and close the curtain to the specified position.
4. With responsive capacitive touch screen.
5. With peculiar backlight, the light is clear in bright environment, and soft in darkness. Even at the night, it's also easy to use.
6. Low standby power consumption: ≤0.3W.

### Main Functions

#### A. Manual controlling function

Press the capacitive touch keys can manually open or close the curtain, can also stop it in the process of opening or closing.

#### B. Remote controlling on-off function

Via the main control equipments, you can remotely open or close the curtain. You can also stop it while the curtain is opening or closing, and the operating result will feed back to the main control equipments.

#### C. Scene controlling function

Controlled by main control equipment, this smart RF switch can be combined with other Gingerway smart devices into different scenes in any way you like. Especially, the curtain can be opened to any specified position.

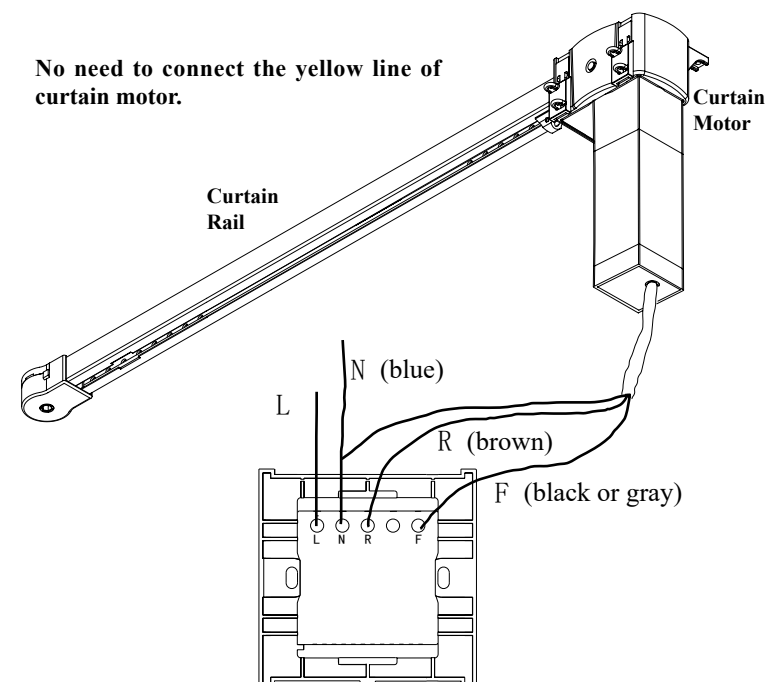
#### D. Query function

You can query the on-off state of the through the main control equipment.

### Scope of Application

Applies to kinds of AC synchronous curtain motors: power ≤ 200W.

### Product Wiring Diagram



### Notice of the wiring:

1. Both curtain controller and curtain motor need to connect N line (neutral line), please merge the neutral lines of input end and curtain motor to the wiring port of curtain controller.
2. Pay attention to the F line (open curtain) and R line (close curtain) of curtain controller, the two lines can't be connected wrong.