

## Smart RF 1-Gang Wall Touch Dimmer Instruction Manual

GW-6328 (Neutral Optional)  
GW-7328 (Neutral Required)

Enjoy the Life

Gingerway Technologies Co.,Ltd

### Descriptions

Dear users, sincerely thank you for choosing our products. For your convenience of installing and using this product, please read this manual carefully before use.

Gingerway smart RF wall touch dimmer are new general tow-way full digital communication smart dimmer. Via the main control equipments(like remote control, gateway ), you can reliably and easily control and query the on-off state of the dimmers.

### Main Features

1. New generation Z-Ginger® smart home control network, a real full digital two-way communication wireless network. It can penetrate the walls, with fast response speed, high reliability and strong anti-interference capability.
2. With capacitive touch screen, suitable for no-flicker LED and incandescent lamps.
3. Fading in and fading out function.
4. Ultra-low standby power consumption:  $\leq 0.03W$ .
5. Maximum load power: 100W for LED lamps, 300W for incandescent lamps .
6. GW-6328: with patented power technology P-Ginger®: fit single-wire wiring method (Without Neutral Line), also fit double-wire wiring method(With Neutral Line).

### Main Functions

#### A. Manual controlling on-off function

Press the capacitive on-off key can turn on/off the lamp, this function is same as the traditional switch. If the power recovered after a power cut, the dimmer will be at off-state automatically .

#### B. Remote controlling on-off function

Via the main control equipment, you can remote control the on-off state of the dimmer, and the operating result will feed back to the main control equipments.

#### C. Scene controlling function

Controlled by main control equipments, it can be combined with other Gingerway smart devices into different scenes in any way you like.

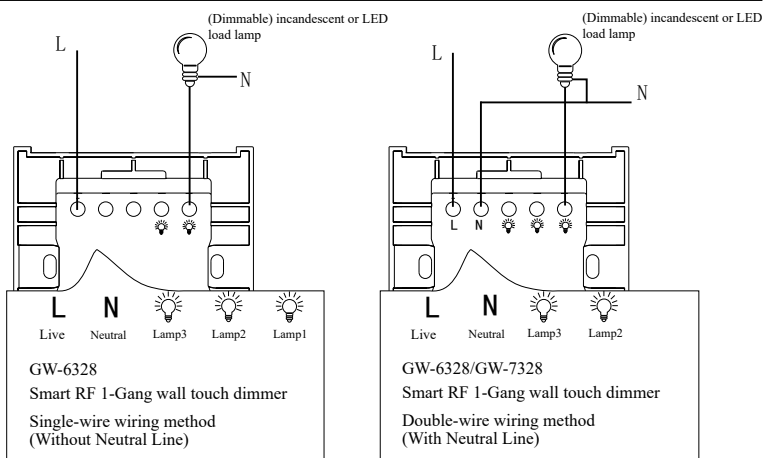
#### D. Query function

You can query the on-off state of the smart RF dimmer through the main control equipment.

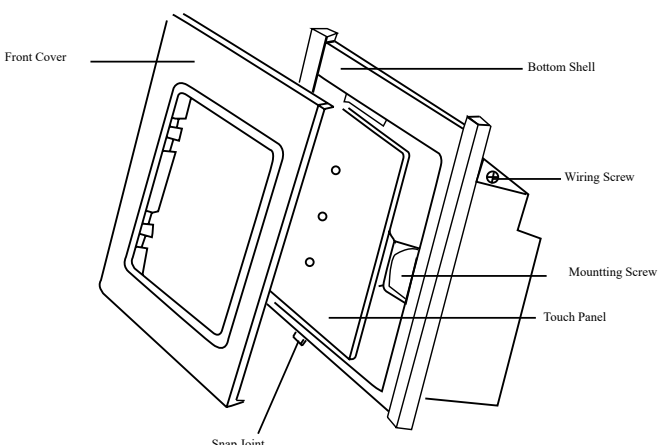
#### E. Dimming function

This dimmer can adjust the brightness of the controlled incandescent lamp or LED lamp, and this function also can be realized through main control equipments. The brightness value can be memorized after adjusting the brightness, the lamp will keep the last brightness value when the lamp is on next time.

### Product Wiring Diagram



### Assembly Drawing



### Scop of Application

GW-6328/7328 apply to dimmable LED lamps and incandescent lamps.

### Usage

Gingerway smart RF dimmer must be used with Gingerway main control equipments. About the related operating method and function settings, please refer to the instruction manuals of Gingerway main control equipment.

Smart RF Dimmer GW-6328 / GW-7328	Short press the on-off key can turn on/off the lamps.
	Long press the on-off key to send out binding request.
	Long Press the Up and Down keys to adjust the brightness.
	Cut off the power of dimmer. After the electric discharge over, long press any on-off key for 8 seconds within 3 seconds since power on, the dimmer will be restored to factory settings.

### Technical Parameters

Power Supply	110 - 250VAC
Standby Power Consumption	$\leq 30mW$
Wireless Operating Frequency	433MHz
Wireless Transmit Power	$\sim 10dbm$
Wireless Receiving Sensitivity	$\leq -105dbm$
Maximum Load Power	100W for LED lamps, 300W for incandescent lamps.
Minimum Load Power	0
Mounting Box Size	77mm*77mm*38mm
Working Temperature	0-60°C
Relative Humidity	$\leq 80%$ (Non-condensing)
Dimensions (L * W * H)	86mm*86mm*37mm
Weight	132g

### Notice

1. Please hire professional electrician to install or disassemble the switches. The power must be cut off before installing or disassembling.
2. This dimmer is forbidden to be installed in outdoors, bathroom and other humid environments.
3. Only connect load can the dimmer work.

### Warranty Terms

Gingerway products are guaranteed for 2 years since the date of purchase. During the warranty period, if Gingerway products malfunction(not contain artificial damages) under normal circumstances, they can be free repaired or exchanged at local dealer with the purchase invoice.

1. If due to quality failure during the warranty period, the maintenance is free in first year, only the component cost will be charged in the second year.
2. Disassembling Gingerway product components without the permission of our company or the local client center, our company will no longer bear the free warranty responsibility .

Note: Shenzhen Gingerway Technologies Co., Ltd reserves the right of final explanation for above terms.



Shenzhen Gingerway Technologies Co., Ltd.  
Address: 3-Floor, Building A6, Xingye Industrial Park, Zhongshanyuan No.2 Road, Nanshan District. Shenzhen, Guangdong, China.  
Tel :0755 -28779595 Fax :0755 -28779405  
Website: www.gingerway.com