

Touch Key Thermostat Instruction Manual

GW-4361

Enjoy the Life

Gingerway Technologies Co.,Ltd

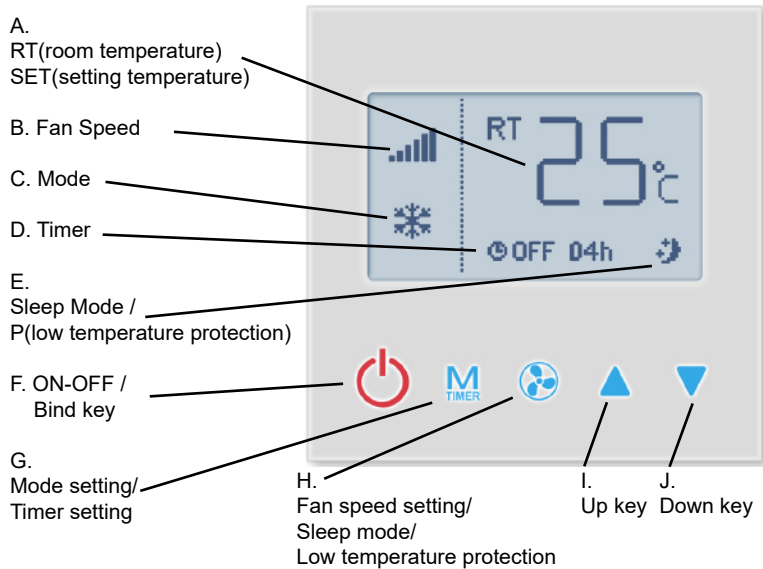
V1.2

Descriptions

Dear users, sincerely thank you for choosing our products. For your convenience of installing and using this product, please read this manual carefully before use.

GW-4361 is a high-end smart thermostat that with large graphic LCD screen and capacitive touch keys.

GW-4361 can control the fan coil unit, air conditioner, the fan of heating device, air valve, air valve, heater and other equipments. It can be used independently, can also connect to Z-Ginger® wireless network to realize the intelligent control.



Illustration

Display area:

A. RT(room temperature) / SET(setting temperature): Thermostat displays room temperature by default, marked by "RT". After press the "Up" or "Down" key, it will enter temperature setting interface. The displayed current setting temperature marked by "SET".

B. Fan Speed: With 4 types of fan speed: LOW, MEDIUM, HIGH, AUTO. For AUTO type, when the room temperature differs 1°C from your setting temperature, the thermostat will automatically change to low fan speed; when the room temperature differs 2°C from your setting temperature, the thermostat will automatically change to medium fan speed; When the difference between room temperature and your setting temperature over 3°C, the thermostat will automatically change to high fan speed.

C. Mode: With 3 modes: Cooling, Heating, Ventilating. In the ventilating mode, the fan speed without the option of "AUTO".

D. Timer: Set a timing to start up or shut down the thermostat. In off-state, you can set a timing to start up the thermostat; In on-state, you can set a timing to shut down the thermostat.

E. Sleep Mode / P(low temperature protection): At on-state, you can set the thermostat to sleep mode: Under cooling or heating mode, the thermostat reverse heating or cooling 1°C in the 1st hour, and then reverse heating or cooling 1°C in the 2nd hour. Then keep it to the end of sleep, give you a comfortable sleep environment.

At off-state, you can set the thermostat to low temperature protection: when the room temperature is below 5°C, the thermostat automatically start heating; When the room temperature rises to 7°C, the thermostat will automatically stop heating.

Keys Area :

F. ON-OFF / Bind key: Short press this key to turn on/off the thermostat; Long press it for 12 seconds to start to bind with gateway or controllers.

G. Mode setting / Timer setting: Short press this key to switch the thermostat mode; Long press it for 5 seconds, then you can set the timing to start up or shut down the thermostat.

H. Fan Speed / Low temperature protection / Sleep mode setting: Short press this key to switch the thermostat fan speed; Long press it for 5 seconds, can set to low temperature protection when the thermostat is on, and can set to sleep mode when the thermostat is off.

I. Up key: By default, short press it to turn up the setting temperature; When in timer setting state, short press it to increase the timing time.

J. Down key: By default, short press it to turn down the setting temperature; When in timer setting state, short press it to decrease the timing time.

Main Features and Functions

1. Z-Ginger® full digital two-way communication wireless network.
2. Supports the cooling, heating or ventilating equipments of 2-pipe or 4-pipe and three-speed fan, fit 7 types of heating/cooling equipments.
3. Supports independent control, also supports Z-Ginger® protocol wireless network control.
4. With large graphic LCD, support multi-languages display.
5. With high sensitivity capacitance backlit touch keys.
6. Detect and display the environmental temperature.
7. Cooling/heating/ventilating mode for your selection.
8. Manual(3 speed) / automatic fan speed for your selection.
9. Power off memory function.
10. Timer on/off and sleep function.
11. Low temperature protection function.
12. Ultra-low power design, be suitable for universal power supply.

Scope of Application

Being used in hotel, commercial building and factory to control the fan coil unit, air conditioner, heater and other equipments.

Product Wiring Diagram

Open the thermostat, there are 3 selectable jumpers at the back of thermostat top panel. You can choose the device type of thermostat via the jumpers:

0 (V3F3S): Default configuration (the jumpers are not welded), control 3-wire electric valve and 3-speed fan. After the temperature reached, the valve and fan will be shut down;

1 (V0F2): Control the electric air valve or electric air vent;

2 (V2F3C): Control 2-wire electric valve and 3-speed fan. After the temperature reached, the electric valve will be shut down, the fan will continue to run;

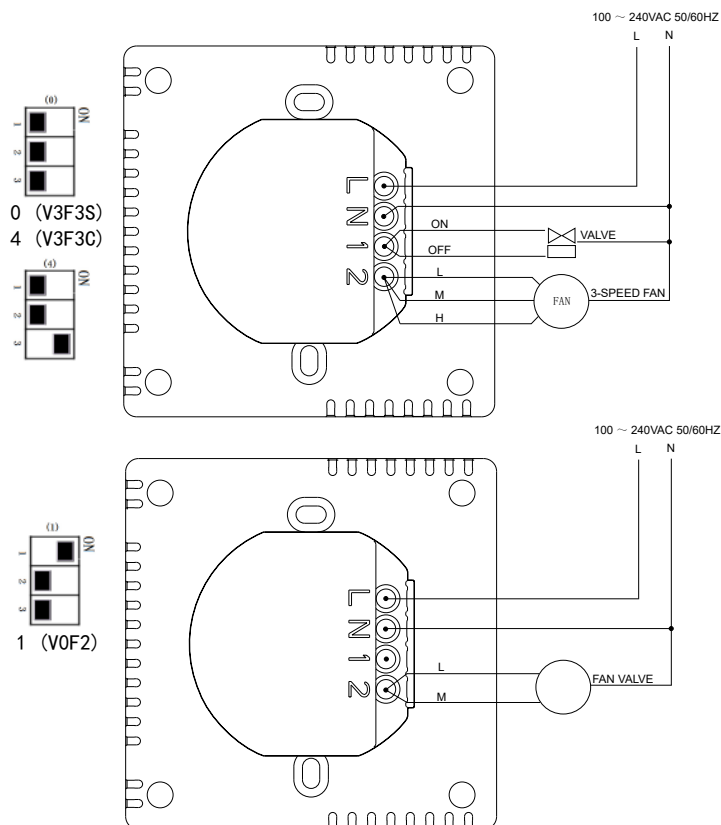
3 (V2F3S): Control 2-wire electric valve and 3-speed fan. After the temperature reached, the electric valve and the fan will be shut down;

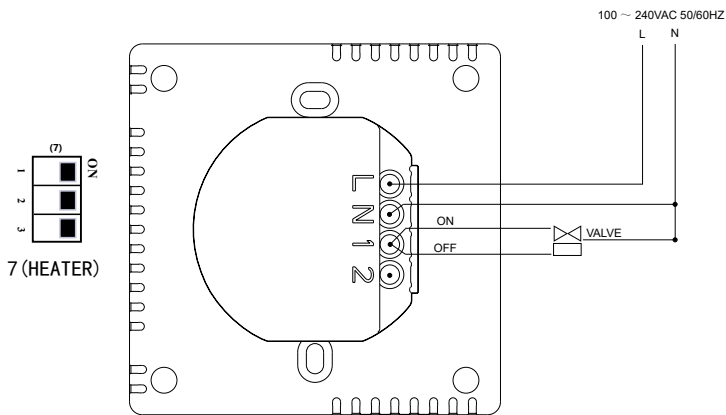
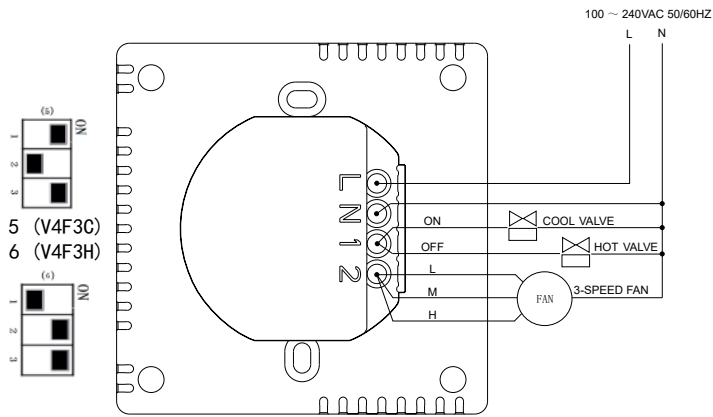
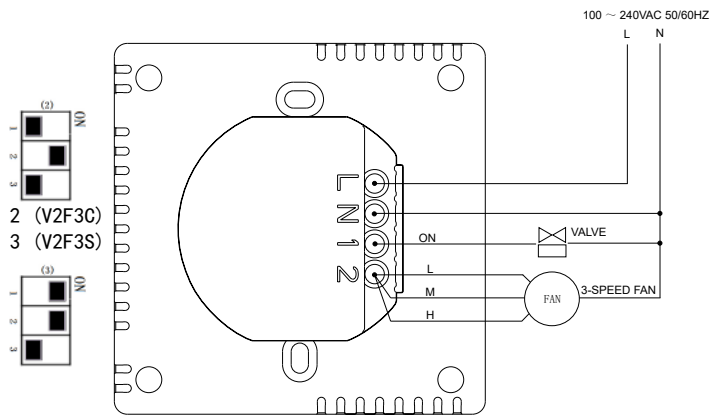
4 (V3F3C): Control 3-wire electric valve and 3-speed fan. After the temperature reached, the electric valve will be shut down, the fan will continue to run;

5 (V4F3C): Apply to 4-pipe system, to control electric cold and heat valve(2-wire valve) and 3-speed fan. After the temperature reached, the electric valve will be shut down, the fan will continue to run;

6 (V4F3H): Control electric cooling and heating valves(2-wire valve) and 3-speed fan. After the temperature reached, the electric valve will be shut down. the fan will continue to run in Cooling mode. If in Heating mode, only control the electric valve, the fan is closed at any time;

7 (HEATER): Being used for controlling floor heater. Only with Heating mode, the thermostat will automatically enter into low temperature protection status after it turned off, the temperature of low temperature protection is 15°C.





Technical parameters

Power Supply	100 ~ 240VAC 50/60HZ Standby consumption: <0.5W Maximum consumption: <2W
Outputs	Up to 5 relays Load current: rated current 1A, surge current 3A
User Interface	5 backlit capacitive touch keys Backlit 128*64 B/W graphic LCD
RF	Frequency: 433MHz(315M, 868M, 915M are customizable) Transmit power: 10dbm Receiving sensitivity ≤-105dbm
Temperature	Setting temperature: 5-35℃ Environmental temperature: 0-50℃ Precision: ±1℃ Probe: NTC
Installation	CCC(86mm*86mm) CE(86mm*86mm)
Wiring	2 power-supply wirings 5 ways output wirings Cross-sectional area of conductor: 1 * 1.0 mm ² ~ 1 * 2.5 m ²
Timer	Minimum programming interval: 1 hour Maximum programming interval: 12 hours
Operating Environment	Environmental temperature: 0℃ to 50℃ Relative humidity: 10% to 90%
Certification	CE Mark Low Voltage CE Mark EMC CE RADIO
Shell	94-V0 PC
Dimensions & Weight	W 86mm x L 86mm x H 14.7mm (Front Panel) W 86mm x L 86mm x H 36.7mm (Total) Weight: 155g

Notice

1. Please hire professional electrician to install or disassemble this product. The power must be cut off before installing or disassembling.
2. This product is forbidden to be installed in outdoors, bathroom and other humid environments.
3. The wiring must be in accordance with instruction manual, otherwise the products may be damaged.

Warranty Terms

Gingerway products are guaranteed for 2 years since the date of purchase. During the warranty period, if Gingerway products malfunction(not contain artificial damages) under normal circumstances, they can be free repaired or exchanged at local dealer with the purchase invoice.

1. If due to quality failure during the warranty period, the maintenance is free in first year, only the component cost will be charged in the second year.
2. Disassembling Gingerway product components without the permission of our company or the local client center, our company will no longer bear the free warranty responsibility .

Note: Shenzhen Gingerway Technologies Co., Ltd reserves the right of final explanation for above terms.



Shenzhen Gingerway Technologies Co., Ltd.
Address: 3-Floor, Building A6, Xingye Industrial Park, Zhongshanyuan No.2 Road, Nanshan District. Shenzhen, Guangdong, China.
Tel :0755 -28779595 Fax :0755 -28779405
Website: www.gingerway.com

Usage

Restore factory settings	1.Turn off the power of smart thermostat. 2.As soon as the power, long press the leftmost and rightmost keys(ON-OFF key and Down key) at the same time for 10 seconds. 3.The smart thermostat will be restored to factory settings.
Binding	Long press the ON-OFF key for 12 seconds, start to bind with main controllers, such as gateway, remote controller, etc.
Timer setting	Long press the "M/Timer" key for 5 seconds, the timer will be displayed. Then long press the "M/Timer" key again, the timer will be cancelled. Press the "Up" and "Down" keys can adjust the timing. In off-state, you can set a timing to start up the thermostat; In on-state, you can set a timing to shut down the thermostat.
Low temperature protection	In off-state, long press the "fan" key for 5 seconds can set the thermostat to low temperature protection mode, long press the "fan" key once again can cancel it. Low temperature protection: When the room temperature is below 5℃, the thermostat will automatically start heating; When the room temperature rises to 7℃, the thermostat will automatically stop heating.
Sleep mode setting	In on-state, long press the "fan" key for 5 seconds can set the thermostat to sleep mode, long press the "fan" key once again can cancel the sleep mode. Sleep mode: Under cooling or heating mode, the thermostat reverse heating or cooling 1℃ in the 1st hour, and then reverse heating or cooling 1℃ in the 2nd hour. Then keep it to the end of sleep, give you a comfortable sleep environment.